

## DALI LINK

## PS-DALILINK-USB-REG



white, Part No. 93189

## Product Information

- DALI power supply with integrated USB interface for DIN-rail mounting
- For example, 45 DALI luminaires and 10 DALI LINK control devices (multi-sensors or push-button interfaces) can be connected to the power supply.
- Integrated application controller for addressing up to 64 DALI components
- Seamless integration in B.E.G. LUXOMAT<sup>®</sup> net DALISYS
- Update function via integrated keypad and USB interface
- Integrated LEDs for visualisation of operating information
- Full range of functions can only be activated with other products of the product group B.E.G. LUXOMAT<sup>®</sup> net DALI LINK

## Technical Data

<b>Voltage:</b>	230 V AC -15%/+10% 50 / 60 Hz
<b>Dimensions:</b>	(4 TE) 90 x 72 x 64 mm
<b>Settings:</b>	with Firmware update function button, B.E.G. PC Tools
<b>Output voltage:</b>	16 V DC
<b>Power consumption:</b>	6 W
<b>Degree / class of protection:</b>	IP20 / Class II
<b>Ambient temperature:</b>	+5 °C to +45 °C
<b>Housing:</b>	Polyamide, UV-resistant

**Connections and wires:** USB

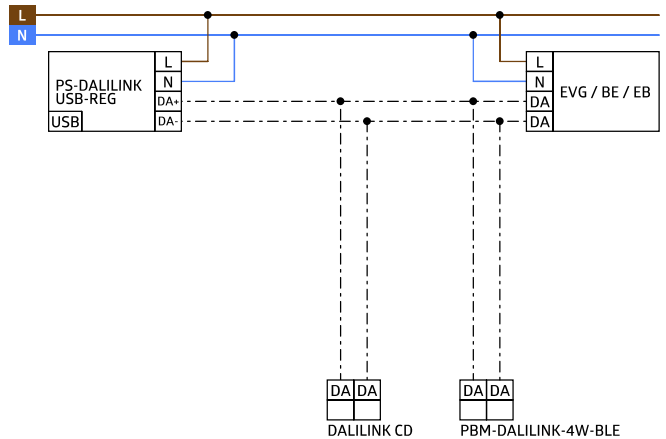
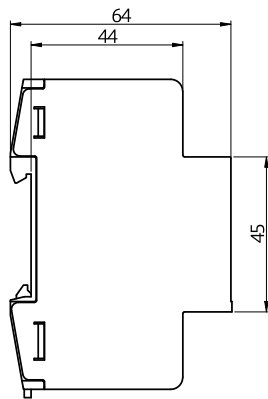
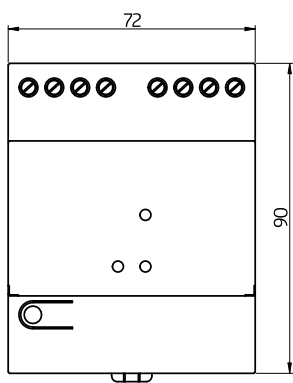
**Nominal current (max.):** 210 mA

---

## Description

Description	Colour	Part number	EAN number
PS-DALILINK-USB-REG	white	93189	4007529931897

---



Dimensions 93189

Wiring diagramms